

**LED**

**ECONOMY LCD CCTV SERIES**



**19RCM**

BUILT TO RUN 24 X 7 X 365 CONTINUOUSLY

**OVERVIEW**

The ORION 19RCM LCD CCTV series is commercial grade - built to run 24 x 7 x 365 continuously. ORION Images is a true manufacturer of LCD CCTV monitors. The RCM series offers versatility with multiple input and output options for both security and industrial solutions.

**FEATURES**

- LED Backlight Unit
- 1280 x 1024 Native Display Resolution
- BNC Video 1 In / 1 Out, HDMI 1 In, VGA 1 In, Audio 2 In, PC Stereo 1 In
- 5ms, 250 Nits, 1000:1 Contrast
- 5:4 Aspect Ratio
- 2D Comb Filter
- Mount Options: Wall, Ceiling or Rack



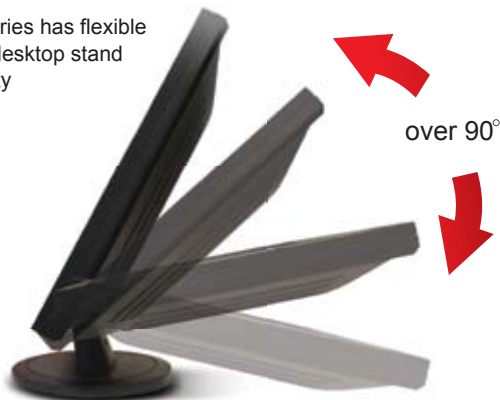
### SPECIFICATIONS

19RCM	
<b>Display</b>	
Screen Size	19 Inch
Max. Resolution	1280 x 1024 @ 60Hz
Pixel Pitch	0.294 x 0.294mm
Brightness	250cd/m <sup>2</sup>
Contrast Ratio	1000 : 1
Aspect Ratio	5 : 4
Viewing Angle (H/V)	160° / 160°
Display Color	16.2 Million
Response Time	< 5ms
Video System	NTSC / PAL
<b>Interface</b>	
Video In / Out (BNC Type)	1 In / 1 Out
HDMI In	1 In
S-Video In / Out	0 In
VGA In (15Pin D-Sub)	1 In
Audio In (RCA Type)	2 In
PC Stereo In	1 In
<b>Transmitter</b>	
Remote Control	Optional
<b>Audio</b>	
Built-in Speakers	Optional
<b>Features</b>	
Filter Type	2D Comb Filter
LCD Protection Glass	N/A
Multi Language	English, Spanish, French, German, Italian
<b>General</b>	
Outline Dimension (W x H x D)	16.59" x 16.57" x 7.87"
Net Weight	6.0Kg (13.2lbs)
Material / Color	ABS Plastic / Black
Desk Top Stand	Tilt Back
Part / Labor	3year / 3year
Consumption: < On	< 30W
	AC100 ~ 240V(50/60Hz)
Electrical Ratings	DC12V / 3.5A
Operating Temperature	0° ~ 50° C / 32° ~ 122° F
Storage Temperature	-20° ~ 60° C / -4° ~ 140° F
<b>Mounts</b>	
VESA™ Mount Size	75 x 75mm
Wall	WB-5, WB-10, WB-30, WB-31
Ceiling	CMK-01
Rack	RMK-08

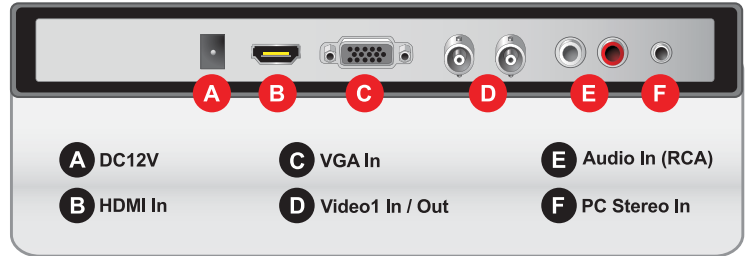
\*Design and specifications are subject to change without notice

### TILT CAPABILITY

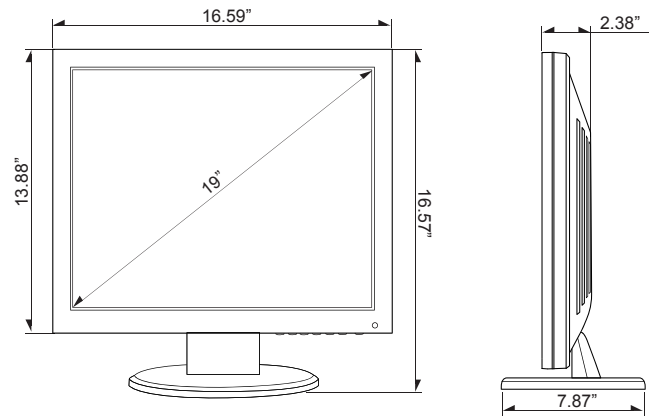
RCM series has flexible tiltable desktop stand capability



### INPUT INTERFACE



### DIMENSIONS



### OPTIONAL MOUNTS

